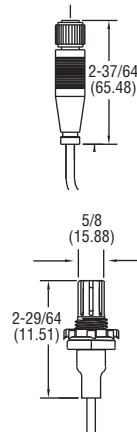
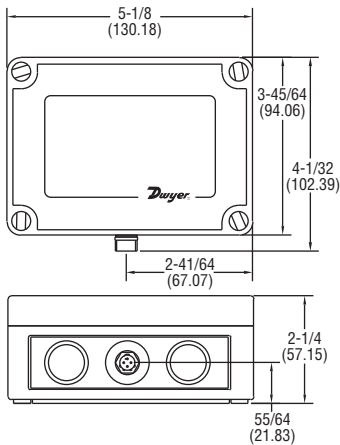


# Dwyer RH-R

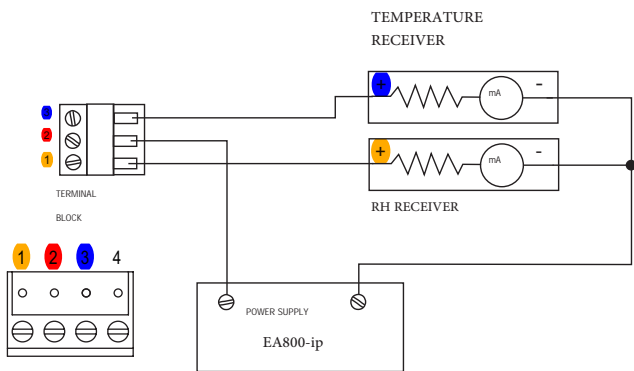


- Response Time:** 15 seconds.
- Electrical Connections:** Screw terminal block.
- Process Connection:** 1/2 NPSM
- Conduit Connection:** 1/2" (22.3 mm).
- **ift:** <1% RH/year.
- I Sensor:** Capacitance polymer.
- Temperature Sensor:** Solid state band gap.
- Housing Material:** Polycarbonate.
- Enclosure Rating:** NEMA 4X (IP65).
- Display Resolution:** RH: 0.1%; 0.1°F (0.1°C).
- Weight:** 19 oz (0.54 kg).
- Agency Approvals:** CE.

## SPECIFICATIONS

- Service:** Dry Clean Air.
- Relative Humidity Range:** 0 to 100% RH.
- Temperature Range:** -40 to 140°F (-40 to 60°C).
- Accuracy:** ±2% 10 - 90% RH; ±0.9°F @ 72°F (±0.3°C @ 25°C).
- Hysteresis:** ±1%.
- Repeatability:** ±0.1% typical.
- Temperature Limits:** -40 to 140°F (-40 to 60°C).
- Storage Temperature:** -40 to 176°F (-40 to 80°C).
- Compensated Temperature Range:** -4 to 140°F (-20 to 60°C).
- 4-20 mA Loop Powered Models:**

- Power Requirements:** 10-35 VDC.
- Output Signal:** 4-20 mA, 2 channels for humidity/temperature models (loop powered on RH).



NOTE: FOR MODELS WITH RH AND TEMPERATURE, THE RH OUTPUT MUST BE HOOKED UP. IF THE RH OUTPUT IS NOT REQUIRED, WIRE THE "-" TERMINAL OF THE POWER SUPPLY TO TERMINAL 1.

## Humidity Programming

Sensor Type:	4-20mA
Sensor Name:	Common Name
Unit of Measure:	Custom Units (RH)
Resolution:	0.1
4mA Value:	+000.0
20mA Value:	+100.0
High Alarm Limit:	High Set Point
Low Alarm Limit:	Low Set Point
Hysteresis:	0.1
Alarm Delay Time:	Set Delay Time

## Temperature Programming

Sensor Type:	4-20mA
Sensor Name:	Common Name
Unit of Measure:	Custom Units (°F)
Resolution:	0.1
4mA Value:	-040.0
20mA Value:	+140.0
Hysteresis:	0.1

EA800-ip Wiring

